

Stockman Express

BUMPER PULL



The Stockman Express is the newest addition to our already popular stock trailer line-up. In 12', 14' and 16' lengths the new Express Series is built with the same quality and standards people have come to expect from a Sundowner. Loaded with features such as heavy duty fenders, 4" I-beam cross members on 12" centers, slam latch gates and 2 side access doors. The Express offers the features you want at a price everyone can afford.



STANDARD FEATURES

- 2 5/16" Bumper pull hitch
- 6'9" Wide
- 6'6" Tall
- 12', 14' or 16' Long
- All aluminum construction
- Interlocking extruded aluminum floor
- Double wall extruded aluminum sides
- 2" Upright wall posts welded on both sides
- 4" Aluminum I-beam floor cross members on 12" centers
- Prepainted aluminum skin
- 2 or 3 Air gaps with Plexiglas tracks
- Heavy duty fenders
- 2 Side access doors w/full height cam latch
- Swinging center gate standard on 16'
- Rear gate with sliding calf gate
- 1 Interior light inside stock area
- Extra LED clearance and marker lights
- 4 Tail lights
- Rubber torsion axles
- 4 Wheel electric brakes with safety breakaway
- Aluminum wheels with radial tires
- Rear rubber bumper

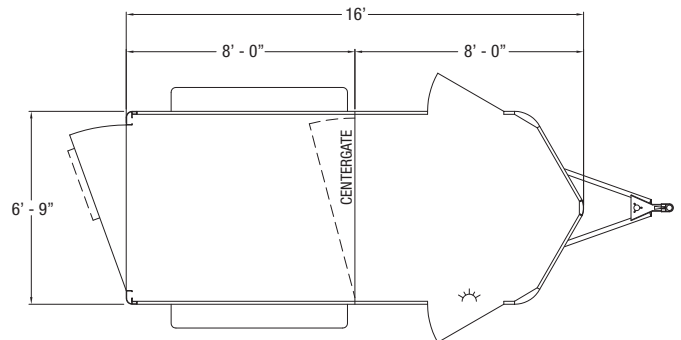
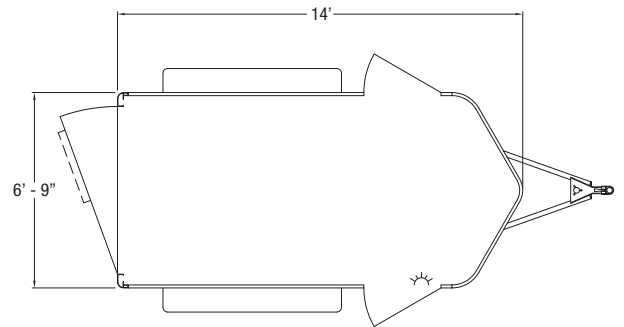


Swinging center gate standard on 16'.
(Optional on 12' and 14'.)



OPTIONS

- Skin colors: white, black, silver, charcoal, champagne
- Spare tire
- Dome lights
- Loading lights
- Clearance lights
- Plexiglas
- Tackroom
- Side ramp in lieu of one side door (48")
- Slider in center gate
- Swinging center gate (optional on 12' and 14')



All dimensions are approximate. Photos may show options. Due to constant product improvements, specifications, component parts, standard and optional equipment are subject to change without notice or obligation. Refer to standard and special features for specifics. See your dealer for warranty details. 2021 © Sundowner Trailers, Inc (07.27.21)

SUNDOWNER TRAILERS, INC.

9805 OK Highway 48 South • Coleman, Oklahoma 73432-8523
800-438-4294 • sundownertrailer.com