

# Motorcycle Transport

## BUMPER PULL



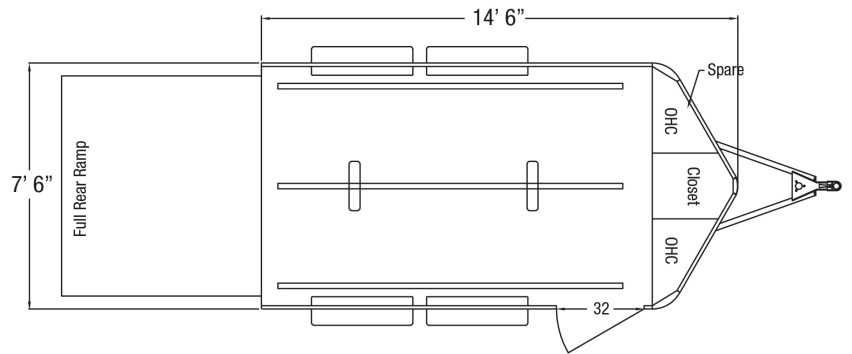
From long road trips to commercial transport the extra protection from Sundowner's Motorcycle Transport enclosed trailer offers peace-of-mind and style as a bonus! Features start with a full height closet and overhead cabinets for storing gear and equipment, a rear ramp for easy loading and unloading and wheel chocks for securing your bikes and pre-painted skin inside and out for a stylish look.

### STANDARD FEATURES

- 2 5/16" Bumper hitch
- 7'6" Wide
- 14' and 16' Long
- 6' Tall
- Spread axle
- 2 3500# axles
- All wheel electric brakes
- All aluminum construction
- Polish top rail and rear post
- Coin rubber over wood floor
- Full rear ramp with cable assist
- 12" Flip down ramp extension
- Lockable twist latch on each side of rear ramp
- 32" Side door with weld on hinges and camper latch
- 2 Removable wheel chocks
- 3 Rows of aluminum logistic E-track
- Logistic track tie downs
- Closet and overhead cabinets
- 2 Low profile bi-directional vents
- 2 LED flush-mounted dome lights
- Aluminum wheels
- 225 x 15 Tires with nitrogen
- Spare tire
- 2' Gravel guard
- Clear lens LED marker and tail lights
- 4 Tail lights
- Pre-painted aluminum skin

### POPULAR OPTIONS

- Additional footage
- Skin colors: white, black, silver, charcoal, champagne
- Split skin colors
- Graphic package
- Electrical package



All dimensions are approximate. Some photos show options. Due to constant product improvements, specifications, component parts, standard and optional equipment are subject to change without notice or obligation. Refer to standard and special features for specifics. See your dealer for warranty details. 2022 © Sundowner Trailers, Inc. 10.20.22

SUNDOWNER TRAILERS, INC.

9805 OK Highway 48 South • Coleman, Oklahoma 73432-8523  
800-438-4294 • sundownertrailer.com